

Nema 17 Linear Stepper Motor

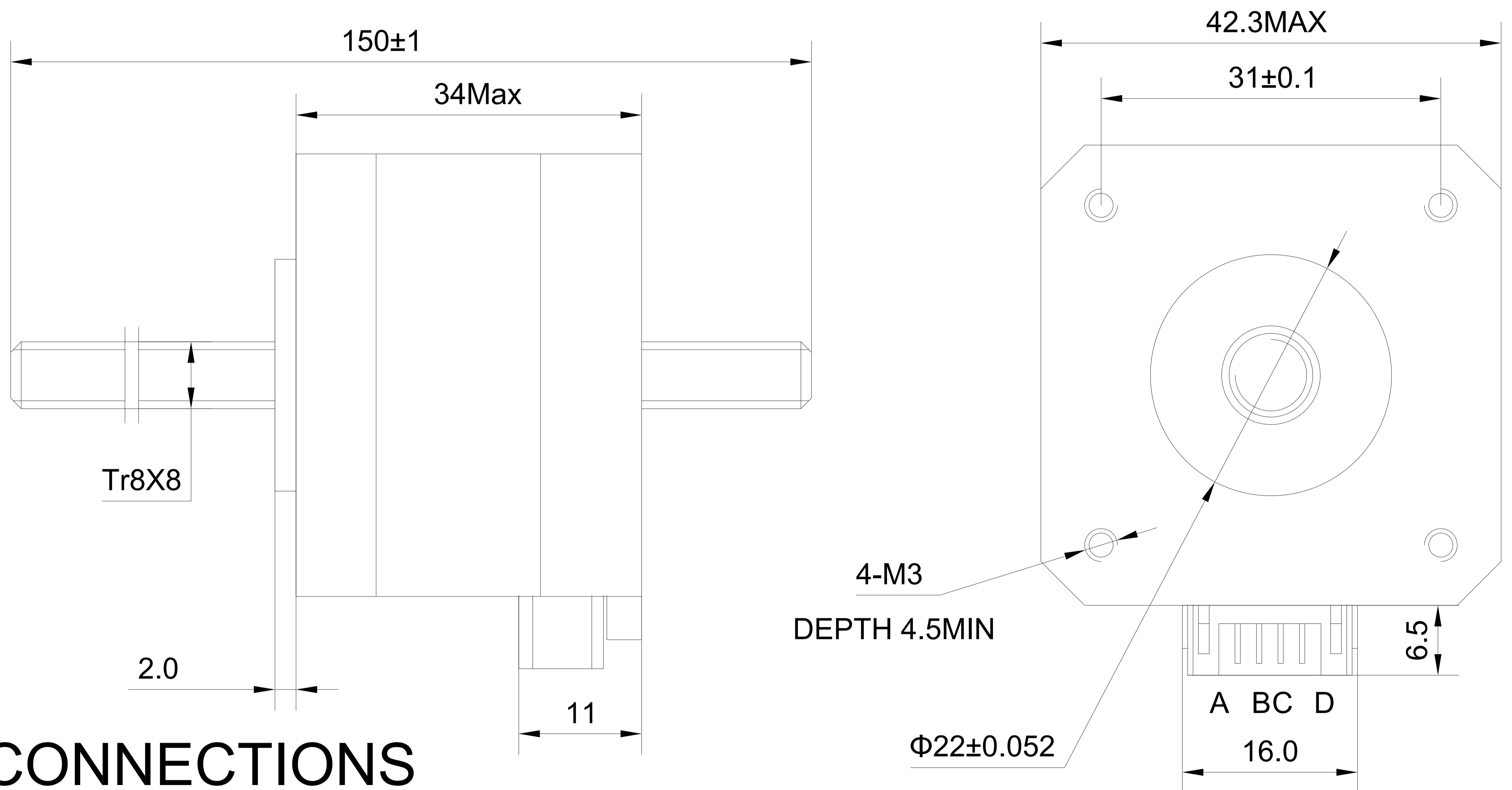
COMMON RATINGS

Step angle :	1.8°	Dielectric strength :	500VAC
Positional accuracy :	±5%	Insulation resistance :	100Mohm(500VDC)
Number of Phase :	2	Ambient Temperature :	-10°C~50°C
Temperature rise :	80°C MAX	Insulation class :	B
Rotor Inertia :	38 gcm ²	Weight :	0.28 Kg

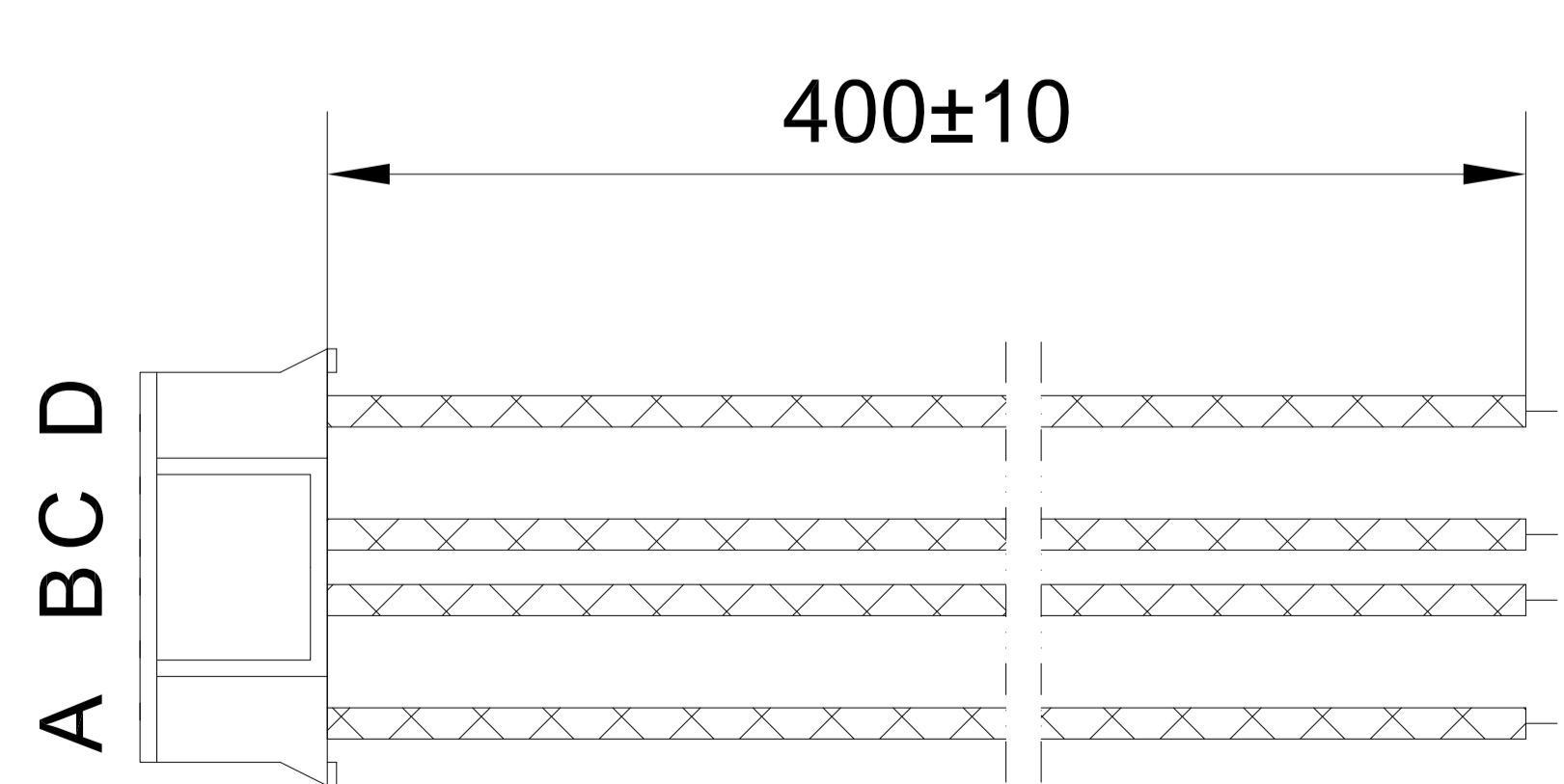
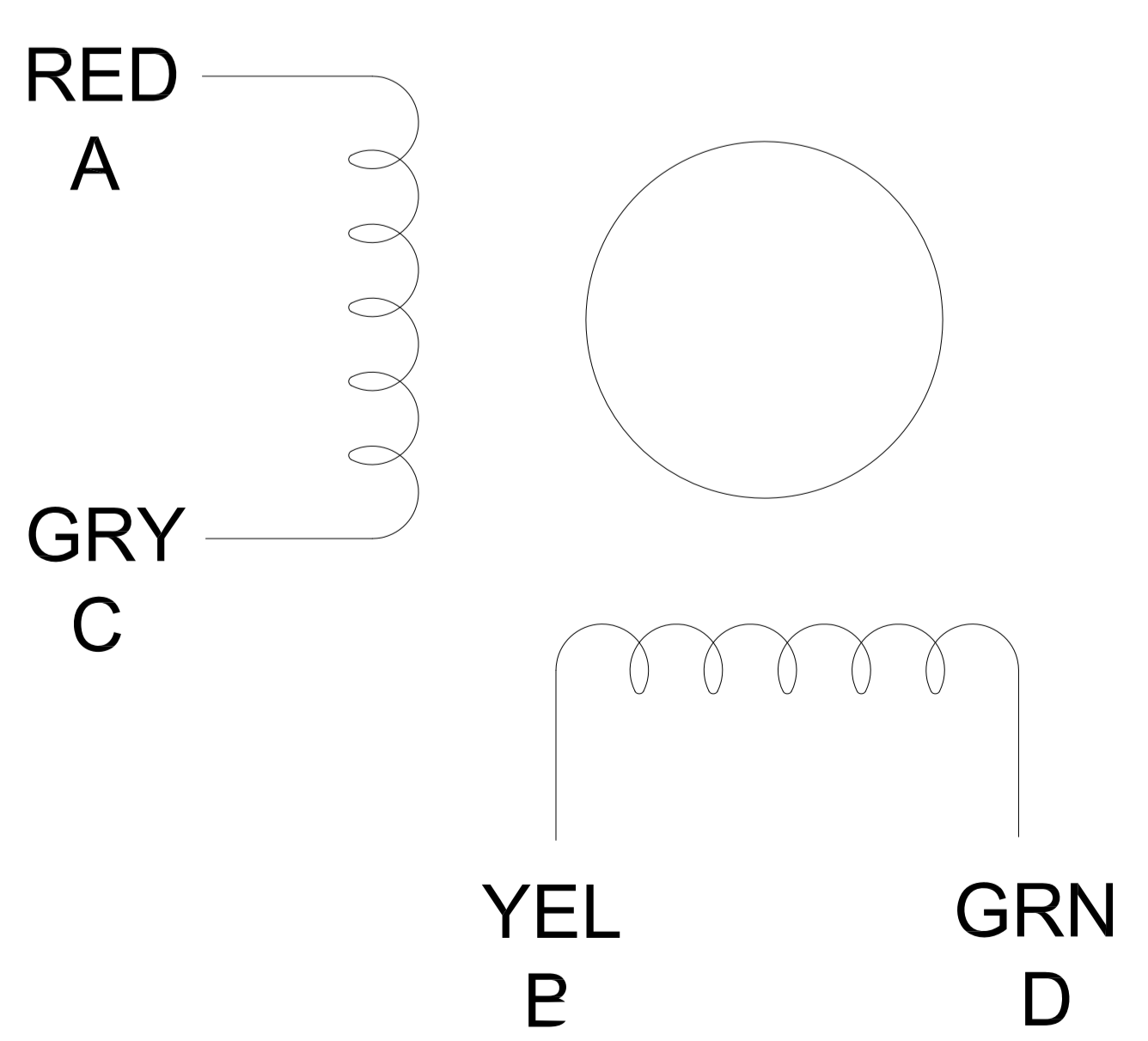
SPECIFICATIONS

Holding Torque (2 phases on) Kg.cm	Rated Current/Phase (Amps DC)	Phase Resistance (ohms) ±10%	Rated Voltage/Phase (V DC)	Phase Inductance (mH)±20%(1KHz) Typical
2.6	0.4	30.0	12.0	37.0

DIMENSIONS unit=mm



CONNECTIONS



Resolution/step: 0.04mm
Lead/rev: 8mm