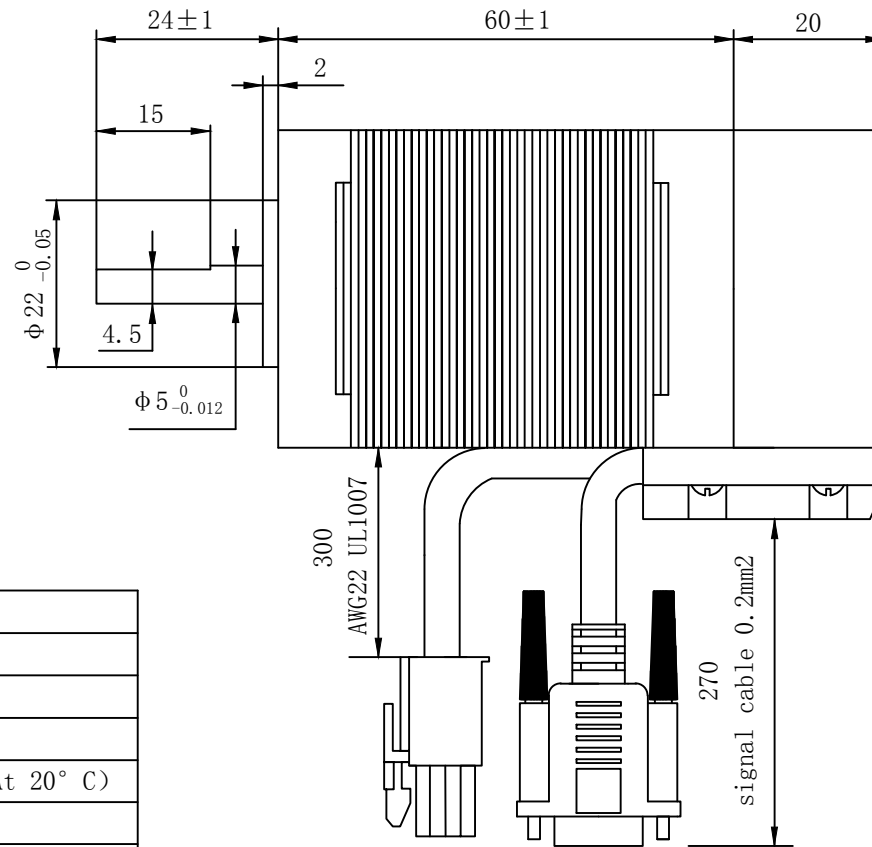
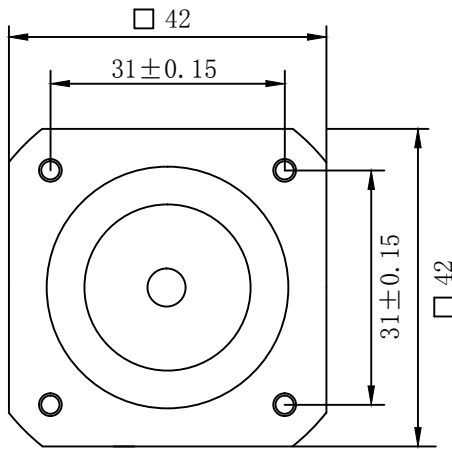
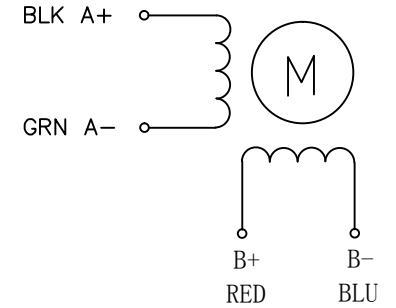


# The output shaft size can be customized

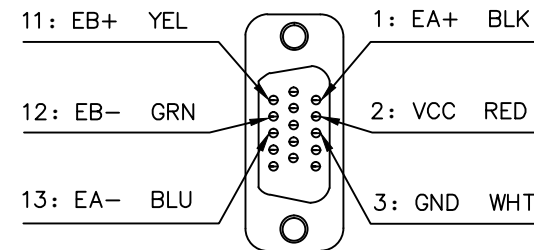
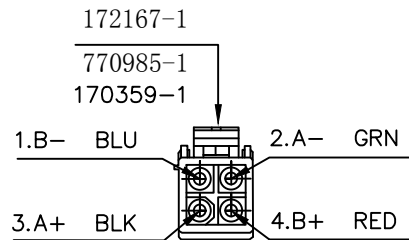
Dimensional drawing



Wiring Diagram



1. Step angle	1.8° ±5%
2. Number of phase	2
3. Phase voltage	2.5 VDC
4. Phase current	2.5 Amp
5. Phase resistance	1.0 Ω ±10% (At 20° C)
6. Phase inductance	2.4 mH ±20%
7. Static moment	0.8 N.m
8. Insulation class	Class B
9. Insulation resistance	100MΩ min. (500V DC)
10. Ambient temperature	-20° -+50°
11. Ambient hum	15% to 95%
12. Motor weight	Approx 0.6 Kg
13. Use voltage	VDC:12-24V
14. Recommended drive	CS-D508



Optical Encoder	
Pulse	1000 Lines
Describe	Colour
Psu +5V	+5V RED
Grounding	GND BLK
Encoder A+	EA+ GRN
Encoder A-	EA- YEL
Encoder B+	EB+ BLU
Encoder B-	EB- WHT

		Unit	mm		DRAWING	<b>CS-M21708-V2</b>