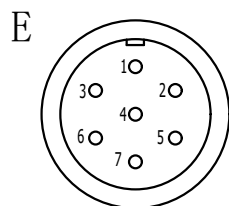
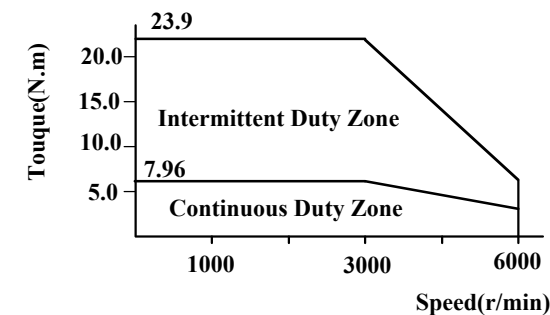
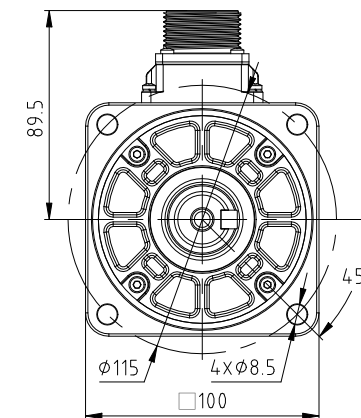
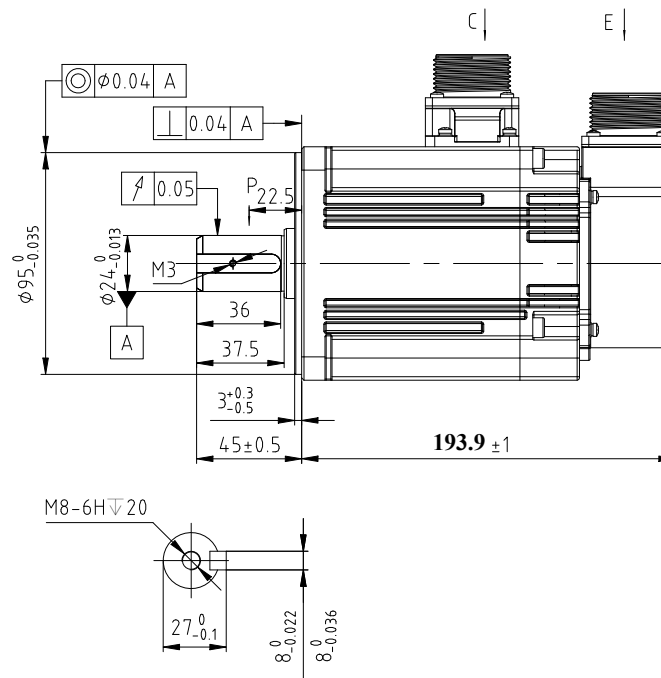
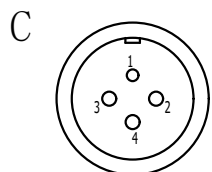


Rated Voltage (Vac)	<b>400</b>
Rated Power (w)	<b>2500</b>
Rated Torque (N.m)	<b>7.96</b>
Peak Torque (N.m)	<b>23.9</b>
Rated Speed (rpm)	<b>3000</b>
Peak Speed (rpm)	<b>6000</b>
Rated Current (Amp)	<b>7.3</b>
Peak Current (Amp)	<b>22.6</b>
Torque Const (N.m/Amp)	<b>1.128</b>
Back EMF Const(V/Krpm)	<b>68.2±5%</b>
Resistance(Ω)	<b>0.7±10%</b>
Inductance(mH)	<b>9.64±20%</b>
Inertia (kg*m <sup>2</sup> *10 <sup>-4</sup> )	<b>4.27</b>
Poles	<b>10</b>
Encoder type	<b>23bit optical</b>
IP rating	<b>IP67</b>
Mass (Kg)	<b>6.4</b>
Allowable radial load(N)	<b>686</b>
Allowable thrust load(N)	<b>196</b>



Assignment of encoder connector with brake							
<b>Pos</b>	1	2	3	4	5	6	7
<b>Signal</b>	PE	+5V	GND	SD+	SD-	E+	E-
<b>Color</b>	/	White	Black	Blue	Purple	Red	Yellow



Assignment of power connector				
<b>Pos</b>	1	2	3	4
<b>Signal</b>	PE	U	V	W
<b>Color</b>	Yel/Gre	Blue	Black	Red

Leadshine Technology Co .Ltd

**ELM2L-2500LA100FT-H MS10A**  
100mm,low inertia,2500w servo motor  
23bit optical encoder, no brake