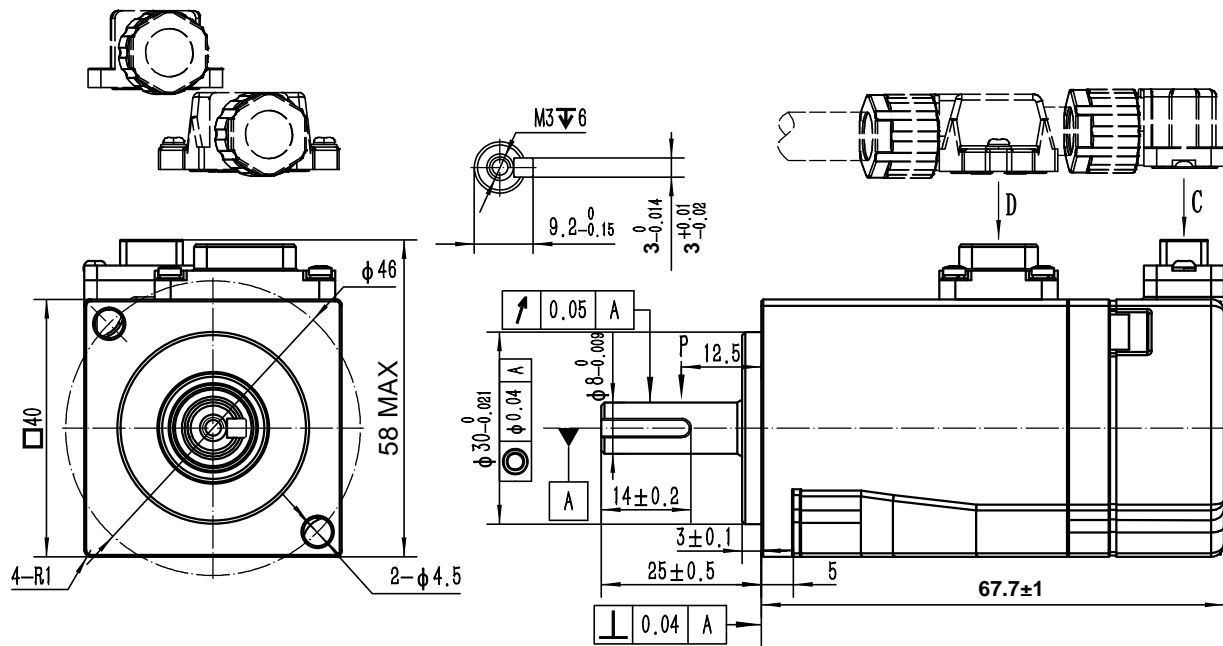


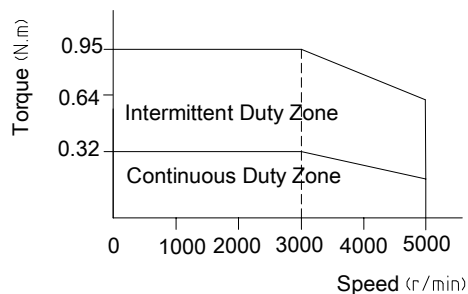
Rated Voltage (Vac)	<b>220</b>
Rated Power (w)	<b>100</b>
Rated Torque (N.m)	<b>0.32</b>
Peak Torque (N.m)	<b>0.95</b>
Rated Speed (rpm)	<b>3000</b>
Peak Speed (rpm)	<b>5000</b>
Rated Current (Amp)	<b>0.92</b>
Peak Current (Amp)	<b>2.85</b>
Torque Const (N.m/Amp)	<b>0.383</b>
Back EMF Const (V/krpm)	<b>23.1</b>
Resistance ( $\Omega$ )	<b>17.7<math>\pm</math>10%</b>
Inductance (mH)	<b>14.3<math>\pm</math>20%</b>
Inertia ( $\text{kg}\cdot\text{m}^2\cdot 10^{-4}$ )	<b>0.062</b>
Poles	<b>10</b>
Encoder type	<b>23bit optical</b>
IP rating	<b>IP67</b>
Mass (Kg)	<b>0.38</b>



Wiring details of Power cable connector						
Pos	1	2	3	4	A	B
Signal	U	V	W	PE	0V	24V
Color	black	white	red	Yel/Gre	blue	blue

Wiring details of encoder cable connector							
Pos	1	2	3	4	5	6	7
Signal	PE	5V	0V	SD+	SD-	Bat+	Bat-
Color	shield	red	black	blue	yellow	brown	white

The curve of torque-speed



Leadshine Technology Co.,Ltd

**ELM2H-0100LA40F**

40mm, high inertia, 100 w servo motor  
23bit optical encoder, no brake