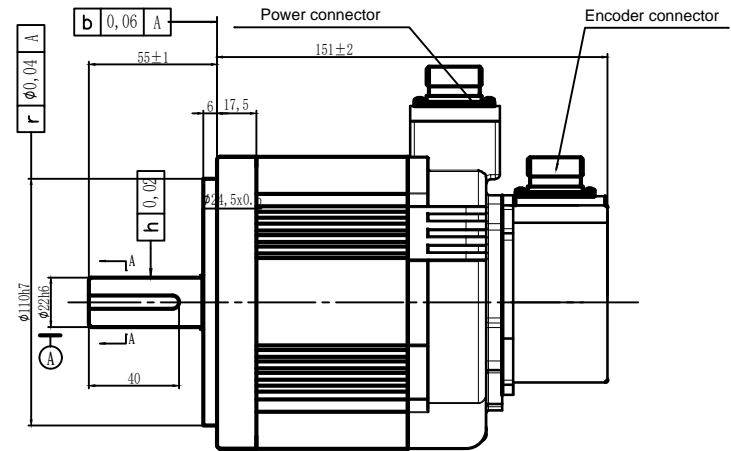
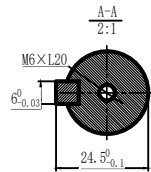
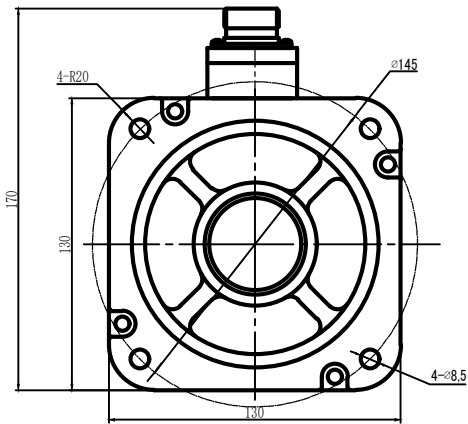
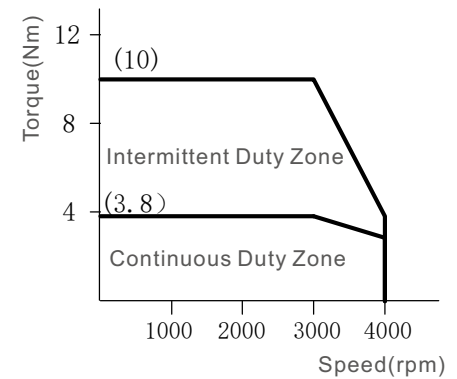


Rated voltage (VDC)	48
Rated power (W)	1200
Rated torque (N.m)	3.8
Max torque (N.m)	10
Rated speed (rpm)	3000
Max speed (rpm)	4000
Rated current (A)	30
Max current (A)	79
Torque constant (N.m/A)	0.13
Back EMF constant (mV/rpm)	8.2
Inertia(kg*m ² *10 ⁻⁴)	11.63
Resistance(Ω)	0.028
Inductance(mH)	0.11
Motor poles	10
Encoder	17 bit
Protection level	IP65
Mass (kg)	5.2



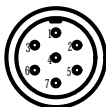
The curve of torque-speed



Type	Power connector			
Pin	A	B	C	D
Defi	U	V	W	PE
Color	Red	Yellow	Blue	Yellow/green



Type	Encoder connector						
Pin	1	2	3	4	5	6	7
Defi	PE	5V	0V	SD+	SD-	BAT+	BAT-
Color	-	Red	Black	Blue	Yellow	Brown	White



Leadshine Technology Co .Ltd

ELVM130120V48FM-M17-HD
1200w servo motor with 17 bit absolute encoder
130mm / 48V /no brake