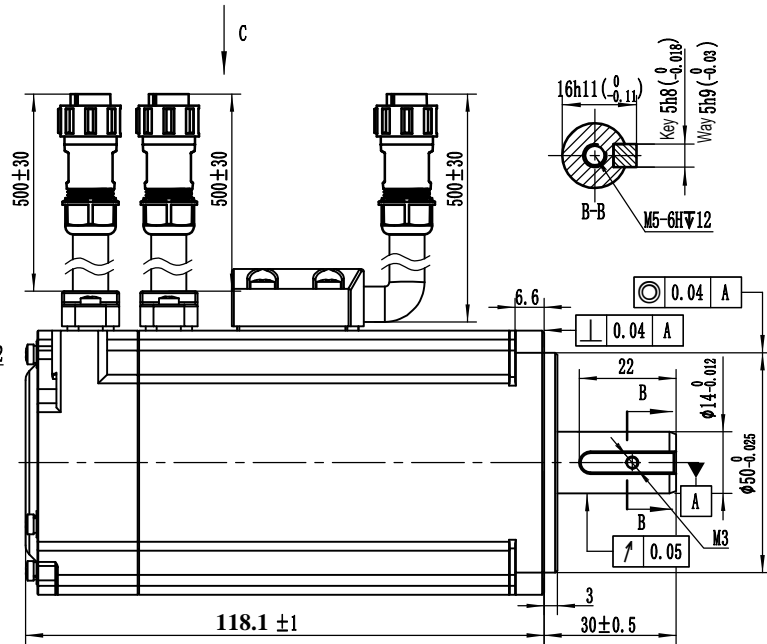
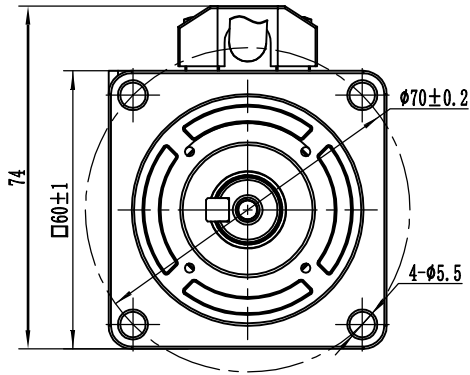
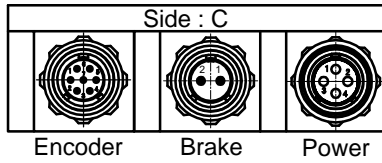
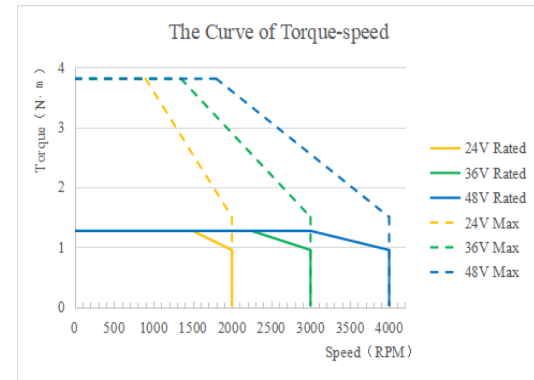


Rated voltage (VDC)	24-48
Rated power (W)	400
Rated torque (N.m)	1.27
Max torque (N.m)	3.81
Rated speed (rpm)	3000
Max speed (rpm)	4000
Rated current (A)	10
Max current (A)	31
Torque constant (N.m/A)	0.137
Back EMF constant (mV/rpm)	8.3
Inertia(kg*m ² *10 ⁻⁴)	0.59
Resistance(Ω)	0.28
Inductance(mH)	0.52
Motor poles	10
Encoder	17 bit
Max radial load (N)	245
Max axial load (N)	74
Protection level	IP65
Mass (kg)	1.7



Brake Detail			
Brake mode	Power off brake		
Voltage	24VDC	Power	7.5W
Braking time	≤ 40ms	Release time	≤ 20ms



Type	Power connector				Brake Connector		
	Pin	1	2	3	4	1	2
Defi	U	V	W	PE	24V+	0V	
Color	Red	Blue	Black	Yellow/green	Red	Black	

Type	Encoder connector							
	Pin	1	2	3	4	5	6	7
Defi	GND	5V	0V	SD+	SD-	BAT+	BAT-	
Color	PE	White	Black	Blue	Purple	Red	Yellow	

Leadshine Technology Co .Ltd

ELVM6040V48EH-M17-HD

400w servo motor with 17 bit absolute encoder
60mm / 24-48V /with brake