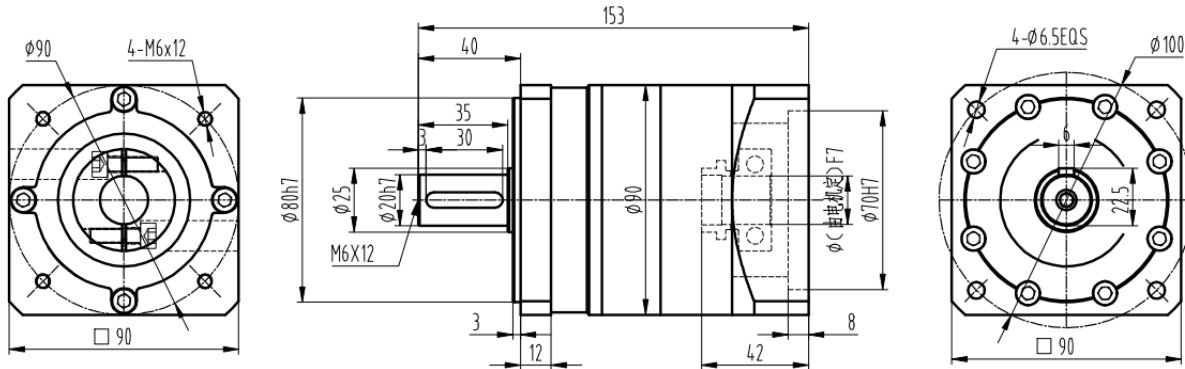


AE-090 Planetary reducers

Single stage dimensional drawing



AE-090-()-S2



Motor size: $\emptyset() \times 35 / \emptyset 70 \times 3/4 - \emptyset 6.5$

$\emptyset 90$ Input shaft diameter: 19mm

Output shaft diameter: 20mm

Full load efficiency	96%
Rated input speed	3000 rpm
Lubrication method	synthetic grease lubrication (long-term lubrication)
Average service life	20000h
Protection grade	IP65
Working temperature	-25 °C ~ +90°C
Maximum input speed	6000 rpm
Weight	3KG

Parameter	Ratio	3	4	5	7	10
Rated output torque Nm		60	86	94.5	64	39.5
Fault stop torque Nm	2 times the rated output torque					
Moment of inertia Kgcm ²		0.4	0.309	0.291	0.285	0.283
Allowable radial load N	1020					
Allowable axial load N	850					