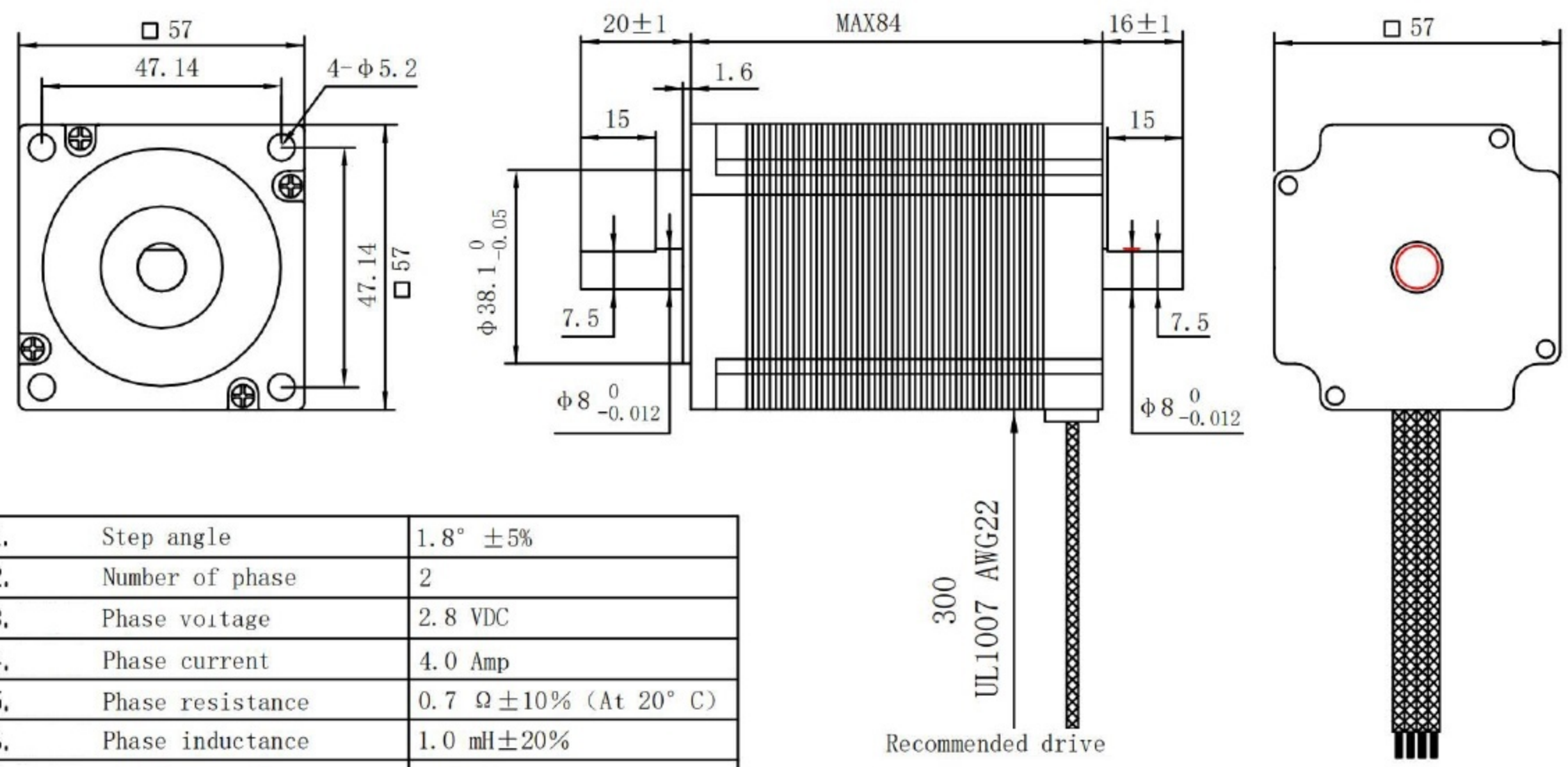
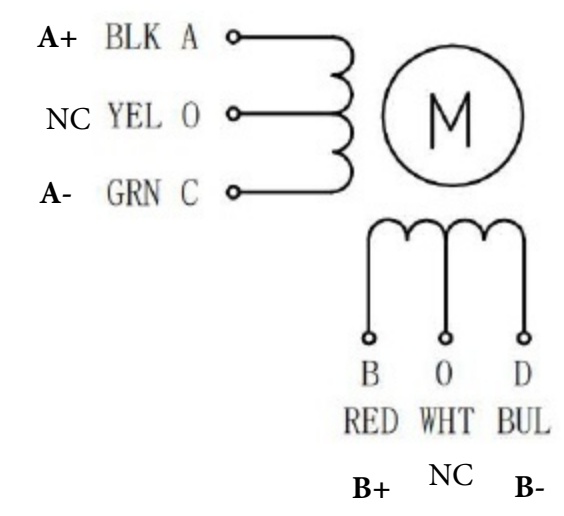


Dimensional drawing



Wiring Diagram



1.	Step angle	1.8° ±5%
2.	Number of phase	2
3.	Phase voltage	2.8 VDC
4.	Phase current	4.0 Amp
5.	Phase resistance	0.7 Ω ±10% (At 20° C)
6.	Phase inductance	1.0 mH ±20%
7.	Static moment	2.0 N.m
8.	Insulation class	Class B
9.	Insulation resistance	100MΩ min. (500V DC)
10.	Ambient temperature	-20° -+50°
11.	Ambient hum	15% to 95%
12.	Motor weight	Approx 1.3 Kg
13.	Use voltage	VDC:20-48V VAC24-36V
14.	Recommended drive	DMD5056

300
UL1007 AWG22
Recommended drive

Excitation sequence and direction of clockwise

STEP	A+	B+	A-	B-
1	+	+	-	-
2	-	+	+	-
3	-	-	+	+
4	+	-	-	+

CW ↓ ↑ CCW

seen from the mounting surface it is clockwise