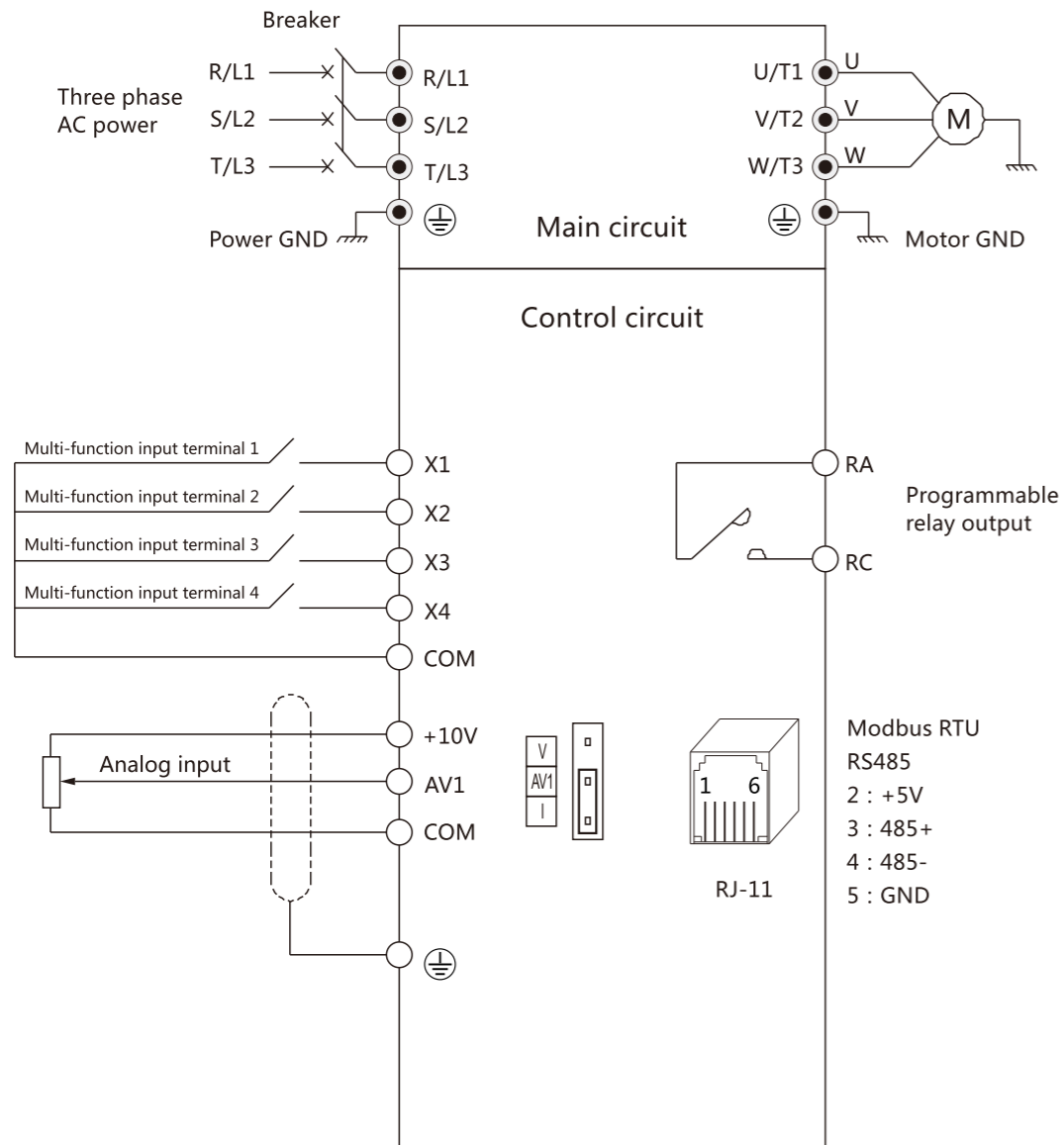


Terminal description



Product Characteristics:

- Output frequency 0~300Hz
- V/F control and setable V/F curves
- Carrier frequency up to 6kHz
- Auto torque boost and auto slip compensation function
- Standard equipped Modbus(RS485 baud rate up to 19200bps)

Technical Specification

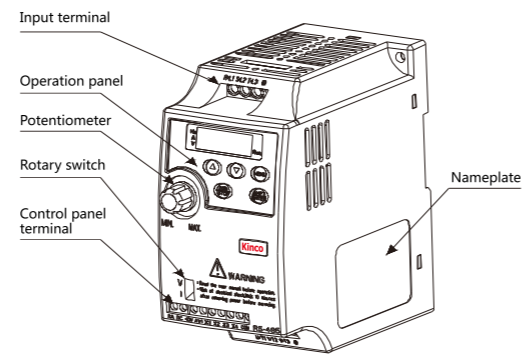
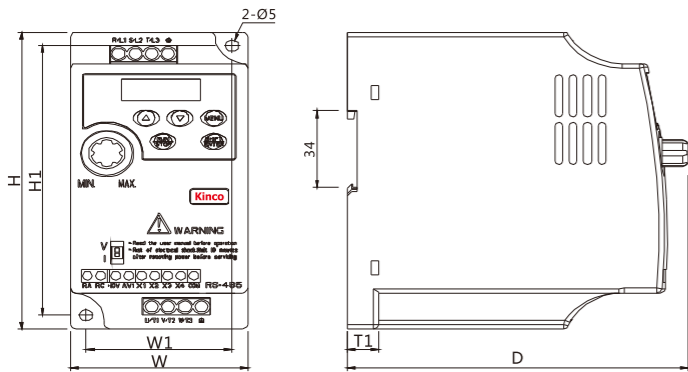
Item	Description	
Input	Rated voltage and frequency	AC220V 50Hz/60Hz
	Allowable voltage range	AC180V~260V; Voltage tolerance ≤3%; Frequency: ±5%
Output	Rated voltage	0~Rated input voltage
	Frequency	0Hz ~ 300Hz
	Overload capacity	150% 1 minute, 180% for 1 second, 200% FOR 0.5 second
Control Characteristics	Control mode	V/F control
	Starting torque	0.5Hz 150%rated torque
	Speed regulation range	1 : 100
Basic Function	Speed stabilizing accuracy	±0.5%
	Operation Command	Operation Panel, Terminal, Communication Control, Support switching between these control channels.
	Starting mode	Start from starting frequency; Brake first and then start; Speed tracking.
Basic Function	Stopping mode	Dec-to-stop; Coast-to-stop; Dec-to-stop+DC injection braking
	V/F pattern	4 patterns: 1 V/F curve mode set by user and 3 kinds of torque-derating modes
	Acc/Dec curve	Linear Accn/Dec, S curve Acc/Dec
Protection function	Overcurrent protection, overvoltage protection, miss phase protection, under-voltage protection, overheat protection, over-load protection, short circuit protection and so on.	
Environment	Operating site	Indoor, installed in the environment free from direct sunlight, dust, corrosive gas, combustible gas, oil mist, steam and drip.
	Altitude	Derated above 1000m, the rated output current, shall be decreased by 10% for every rise of 1000m
	Ambient temperature	-10°C~40°C, derated at 40°C~ 50°C
	Humidity	5%~95%RH, non-condensing
	Vibration	Less than 5.9m/s ² (0.6g)
Structure	Storage temperature	- 40°C ~ + 70°C
	Protection class	IP20
Structure	Cooling method	Air cooling, with fan control.
	Installation method	DIN-rail mounting and wall-mounting
Efficiency	≥93%	

Model Specifications

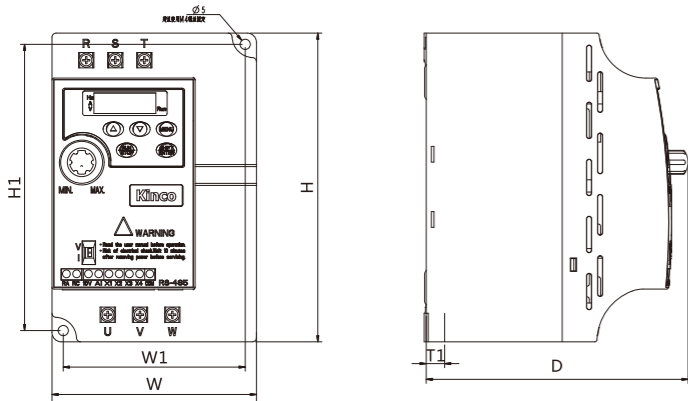
Model	CV20-1S-□□□□G			CV20-2S-□□□□G			CV20-4T-□□□□G		
	0002	0004	0007	0004	0007	0015	0007	0015	0022
The power of suitable motor(kW)	0.2	0.4	0.75	0.4	0.75	1.5	0.75	1.5	2.2
Output	3-phase, 0~rated input voltage								
	Voltage (V)								
	Rate current (A)								
Input	150% 1minute, 180% 1second, 200% 0.5second								
	Overload capacity								
	Single-phase, 100~120V; 50/60Hz			Single-phase, 200V~240V; 50Hz/60Hz			3-phase, 380V~440V AC; 50Hz/60Hz		
	90~132V			180V~260V			320V~460V AC		
	Rated Voltage/frequency								
Allowable voltage range									
Voltage tolerance<3%; Frequency: ±5%									
Rated current (A)									
6.0 9.0 18.0 5.3 8.2 14.0 3.4 5.0 5.8									
Protection class									
IP20									
Cooling method									
Air cooling									

External Dimension

CV20-1S-□□□□G, CV20-2S-□□□□G



CV20-4T-□□□□G



External Dimension

Models of Inverter (G: Constant torque load L: Draught fan and water pump load)	External dimension (mm)								Weight (kg)
	W	H	D	W1	H1	D1	T1	Installation hole "d"	
CV20-1S-0002G	68	132	131	56	120	-	12	5	0.8
CV20-1S-0004G									
CV20-1S-0007G									
CV20-2S-0004G									
CV20-2S-0007G									
CV20-2S-0015G	100	151	128	89	140	-	9	5	1.0
CV20-4T-0007G									
CV20-4T-0015G									
CV20-4T-0022G									

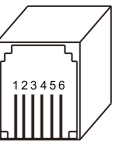
Terminal description

Control board terminal arrangement

RA	RC	+10V	AV1	X1	X2	X3	X4	COM	RS-485
----	----	------	-----	----	----	----	----	-----	--------

PIN definition of RS-485

PIN	1	2	3	4	5	6
Definition	N/A	+5V	485+	485-	GND	N/A



Category	Terminal silk screen	Name	Description of terminal function	Specification
Relay output	RA	Relay output	Can be defined as multi-function relay output terminal	RA - RC : Normally open ; Contact capacity : AC250V/2A(COSØ=1) AC250V1A(COSØ=0.4) ; DC30V/1A
	RC			
Power supply	+10V	+10V power supply	Providing +10V power	Maximum output current: 20mA
Analog input	AV1	Analog input	Analog voltage/current input, Current/voltage signal type is selected by rotary switch on control board	Input voltage range: -10~+10V Resolution: 1/4000
Digital input	X1	Multi-function input terminal	Can be defined as multi-function digital input terminal	Optocoupler isolation input Input resistor:R=3.3kΩ Maximum input frequency:200kHz
	X2			
	X3			
	X4			
Common port	COM	Common port of digital terminals and +10V power supply	Common port of digital input terminals and +10V power supply	
Communication	RS-485	RS485 communication port	Modbus communication port,6-wire, 2-PIN type socket	Standard RS485 communication port, please use twisted shielded pair