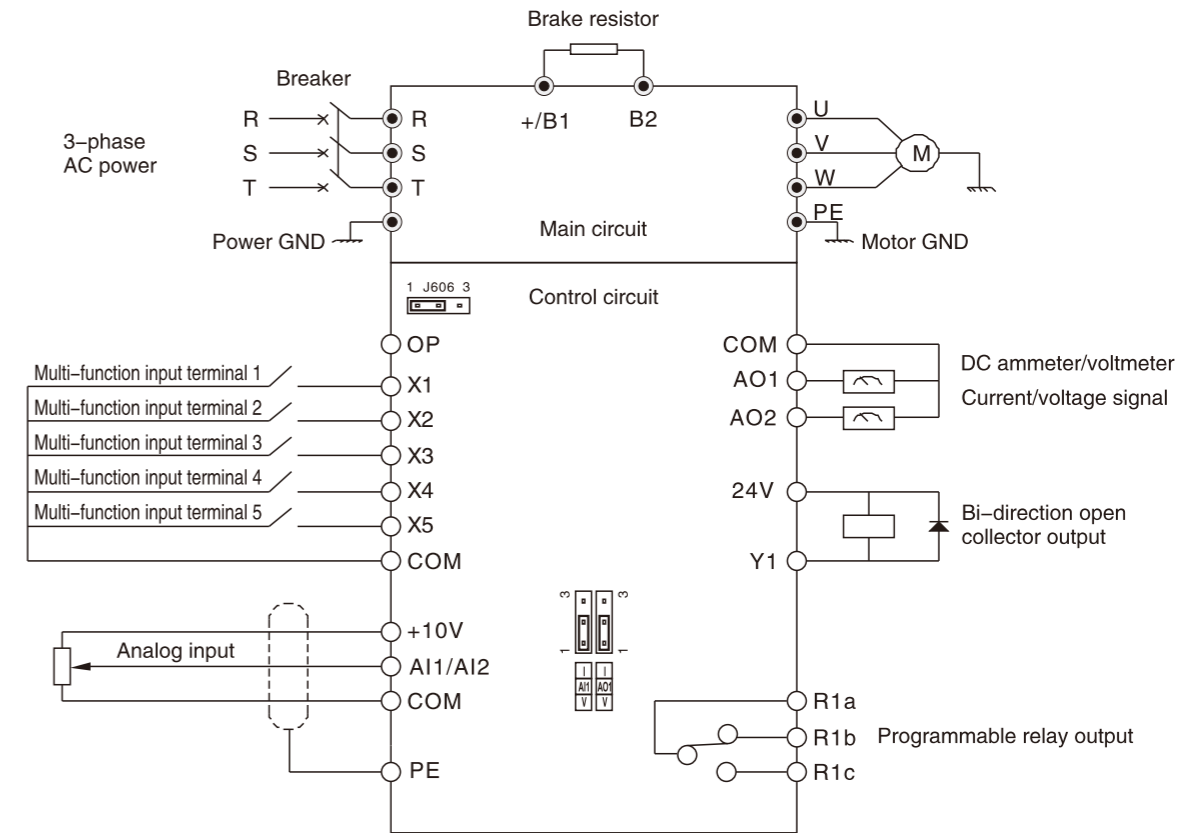


CNA Function Table of Connector Terminal

Category	Terminal silk screen	Name	Description of terminal function	Specification
Shield	PE	Earth shield	GND for the shield layer of terminal. Shield layer of the analog signal cable, 485 communication cable, motor power cable can be connected here	Connect the PE terminal of internal main circuit
Power supply	+10	+10V Power	Provide +10V reference power	Provide 5mA current at most
Communication	RS+	RS485 communication connector	RS485 difference signal positive	Standard RS485 communication connector (Use twisted-pair or shield cable please)
	RS-		RS485 difference signal negative	
Analog input	AI1	Analog single-ended input AI1	Receive the analog voltage or current single-ended input, they are selected by jumper AI1 (Reference ground:COM)	Input voltage range: -10V~+10V (Input resistor: 45kΩ) Resolution: 1/4000 Input current range: 0mA~20mA, Resolution: 1/2000(Jumper to select)
	AI2	Analog single-ended input AI2	Receive the analog voltage or current single-ended input, they are selected by jumper AI2 (Reference ground:COM)	
Analog output	AO1	Analog output 1	Providing analog voltage or current output, they are selected by the jumper AO1. The default setting is output voltage, see to description of function code A6.28. (Reference ground: COM)	Voltage output range: 0V~10V Current output range: 0/4~20mA
	AO2	Analog output 2	Providing analog voltage or current output, they are selected by the jumper AO2. The default setting is output voltage, refer to the function code A6.29 (Reference ground: GND)	
Multi-function input terminal	X1~ X5	Multi-function input terminal	Can be defined as multi-function digital input terminal. Please see to description of function code A6.00~A6.04 (A6 group).	Optocoupler isolation input Input resistor: R=3.3kΩ Input voltage range of X1~X5: 2~30V
Multi-function output terminal	Y1	Bi-direction open collector output	Can be defined as multi-function digital output terminal. Please see to description of function code A6.14 (A6 group) (Com port: COM)	Optocoupler isolation output Maximum working voltage: 30V Maximum output current: 50mA
Power supply	OP	+24v power supply	Providing +24V power	Maximum output current: 200mA
Common port	COM	Common port of 24V power supply	Cooperate with other terminals	

Wiring Diagram of Product Terminal

Applicable models : CV100-2S-0004G ~ CV100-4T-0075G



Terminal Type of Main Loop's Input and Output

Terminal Type	Single -phase input(Top)	L	N	PE	PE	RS+	RS-
3-phase input(Top)	R	S	T	PE	PE	RS+	RS-
Bottom	U	V	W	+/B1	B2		

Descriptions of the main loop terminals

Terminal name	Function description
L, N	Single phase 220V AC input terminal
R, S, T	3-phase 380V AC input terminal
+/B1, B2	Access terminal of brake resistor
U, V, W	3-phase AC output terminal
PE	Earth terminal

Control loop terminals arrangement

RA	RB	RC	AI1	AI2	+10V	X1	X2	X3	X4	X5	Y1	AO1	AO2	OP	COM	PE
----	----	----	-----	-----	------	----	----	----	----	----	----	-----	-----	----	-----	----